

## Current Transformers

### Introduction

'elmex' proudly adds Resin Filled Polycarbonate Current Transformers to the existing range of products. These Current Transformers are designed and manufactured in compliance with latest standard IEC 61869-1 & IEC 61869-2



Solutions For  
Metering & Protection

### Specifications

- **Highest System Voltage:** 720V, 50/60 Hz.
- **Rated Primary Current:** 200 to 800A
- **Rated Secondary Current:** 5A
- **Burden:** 5VA
- **Insulation Class:** E or B
- **Class Accuracy:** 0.5 (Accurate Measuring)
- **Short Time Thermal Current:** 50kA for 1sec.

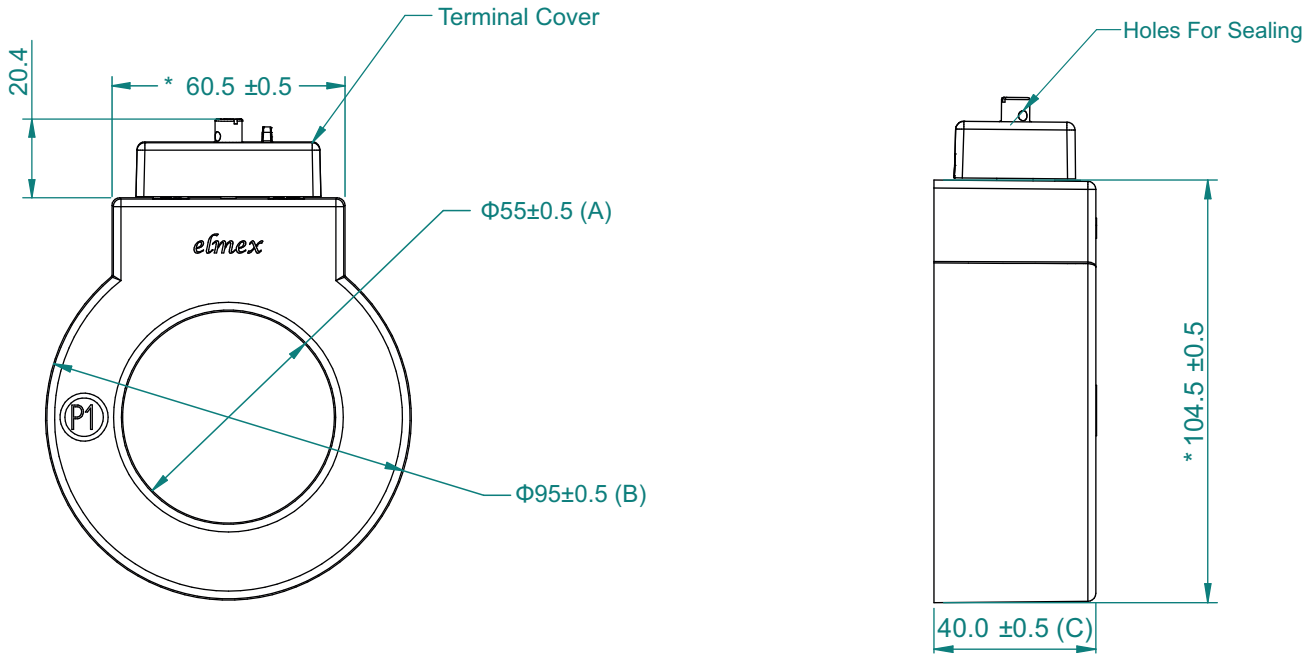
### Approvals





since 1963

## General Arrangement



## Technical Details

CAT No.	Ratio	VA	Class	ID (A)	OD (B)	Depth (C)
EOPR	200/5	5	0.5	$\Phi 55$	95	40
EOPR	400/5	5	0.5	$\Phi 55$	95	40
EOPR	600/5	5	0.5	$\Phi 55$	95	40
EOPR	800/5	5	0.5	$\Phi 55$	95	40

## Applicable Cable/Busbar Dimension

Cable Size	Busbar Size (mm)
Up to 800 Sq. mm	20x6, 20x10, 20x20, 25x6, 25x10, 25x12, 30x10, 2x30x10, 30x15, 40x10, 2x40x10, 40x15, 50x10

**Elmex Controls Pvt. Ltd. | Elmex Electric Pvt. Ltd.**

12, GIDC Estate, Makarpura, Vadodara -390010, Gujarat, India



0265-2642021 / 23



marketing@elmex.net



www.elmex.net