

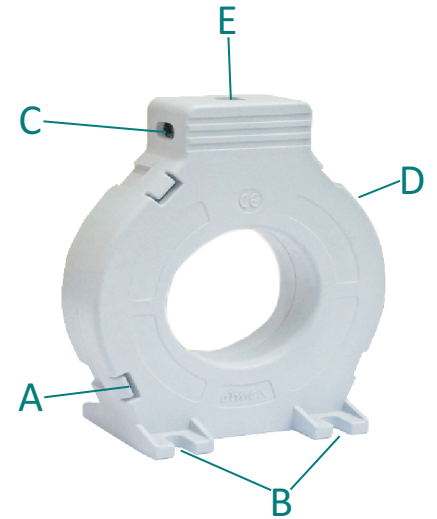


since 1963

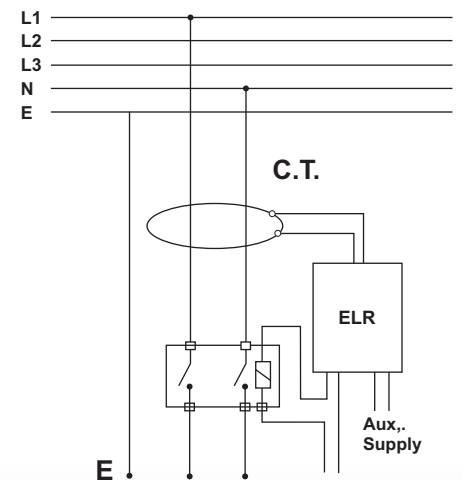
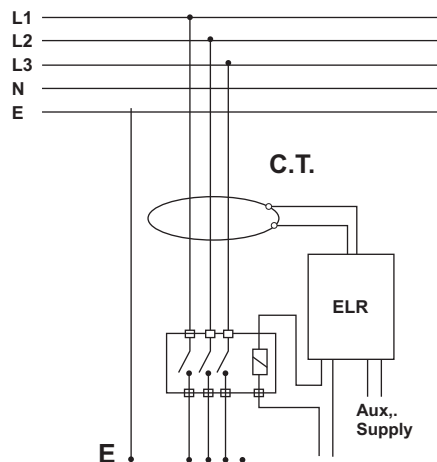
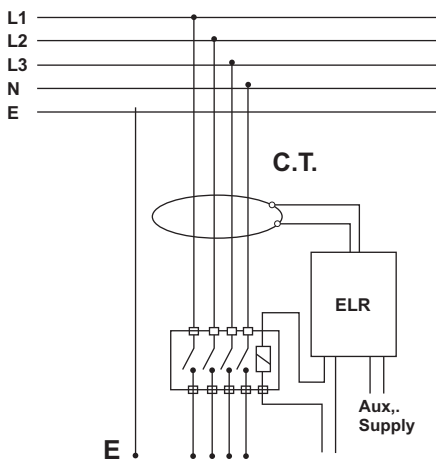
## Core Balance Current Transformers

### Features

- (A) Snap Locking Casing
- (B) Drill Details: Opening of 4-5 mm Suitable for M4 Screws
- (C) Finger Safe Operation for connection with IP 20
- (D) Polycarbonate body with glass filled fiber
- (E) UL approved connector for cable upto 2.5 sq mm.



### Connection Diagram



### Application

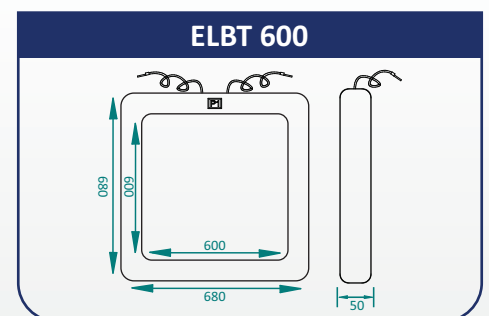
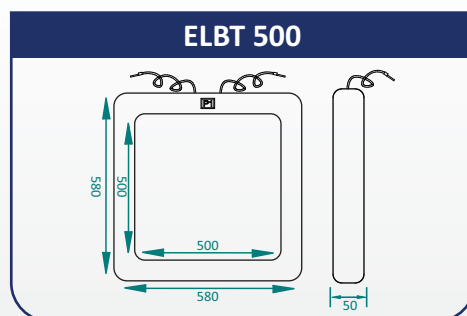
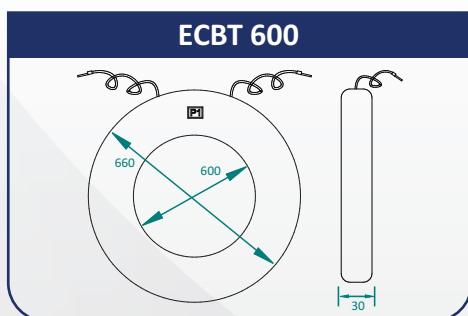
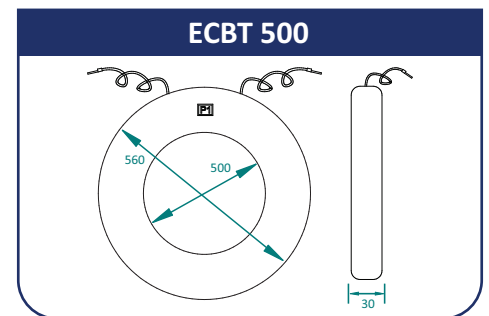
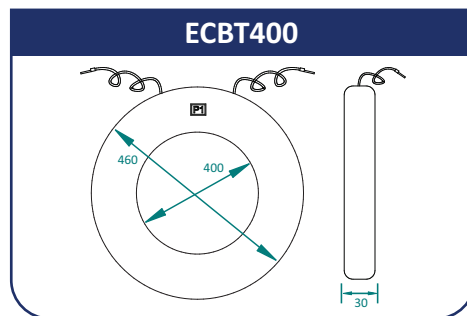
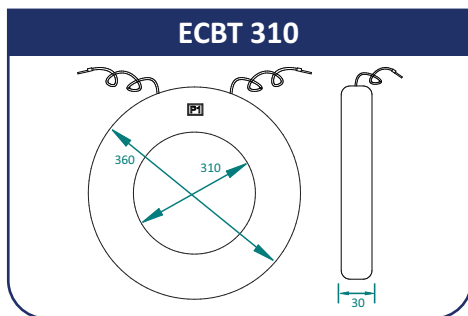
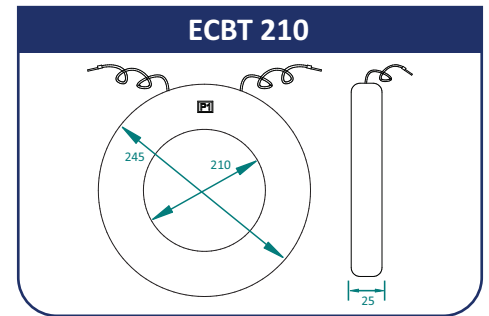
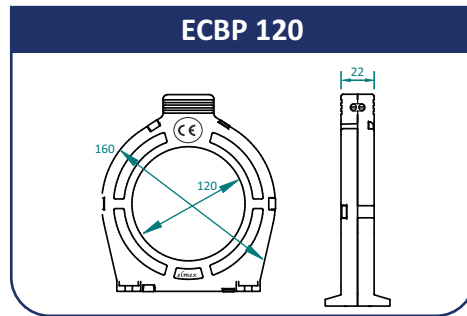
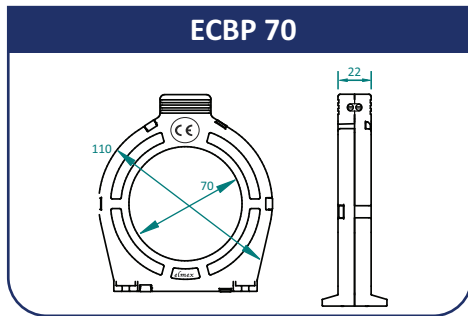
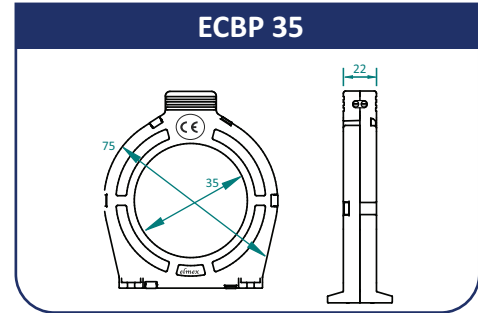
- CBCT are used for Earth Fault Protection
- They are intended to detect the leakage Current by connecting secondary wiring with Earth Leakage Relay
- This Relay gets energised only when there is residual current in primary system
- CBCTs are conceptually different from conventional type Measuring & Protective CTs due to their design & application



since 1963

## Technical Parameters

Voltage Class	415V, AC(±10%)
Rated Frequency	50 / 60 Hz.
Core Material used	Nano Crystalline
Saturation Level	~0.75T
No. of Turns	1000 or 1500 +/-3%
Conductor	Super Enamelled copper wire
Insulation Class	E
Casing	Molded from Polycarbonate
Terminal Block	300V / 20Amp. (for Polycarbonate CBCT)
Load Resistance	50 Ohms



**Elmex Controls Pvt. Ltd. | Elmex Electric Pvt. Ltd.**

12, GIDC Estate, Makarpura, Vadodra -390010, Gujarat, India