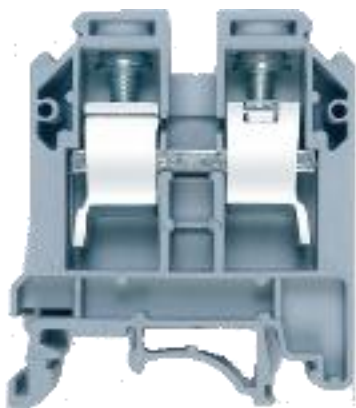


KUT 16



Approvals



General Data

Type	KUT 16
Wire Termination Technology	Screw Clamp
Ratings	1000 V/76 A/16 sq mm/1.2 Nm
GTIN / Harmonize Custom Code	India
Standard Packing Qty (in No)	50
Country of Origin	India
Screw Size	M4

Dimensions & Weight

Height (mm)	52
Height (inches)	2.05
Width (mm)	44.50
Width (inches)	1.75
Thickness (mm)	12
Weight For Standard Packing Qty (Kg)	1.40

Material Data

Housing	PA 6,6
Standard Colour	Grey
Other Color Variants	Black, Blue, Green, Khakhi, Red, Yellow

Rated Conductor Size

Stranded Wire - min (sq mm)	6
Stranded Wire - max (sq mm)	16
Solid Wire - min (sq mm)	6
Solid Wire - max (sq mm)	25

Ratings - IEC

Standard	IEC 60947-7-1
Rated Voltage (V)	1000
Rated Current (A)	76
Rated Cross Section (sq mm)	6
Short Time Withstand Current (kA)	1.92
Rated Impulse Withstand Voltage(kV)	1.2 Nm
Pollution Degree	III

Ratings-ATEX

Certificate No	750
Rated Current (A)	76
Rated Cross Section (sq mm)	16

Ratings-CSA

Rated Voltage (V)	600
Rated Current (A)	100
Wire Cross Section - min (AWG)	12

Wire Cross Section - max (AWG)

3

Ratings-uL

Rated Voltage (V)

600

Rated Current (A)

100

Conductor Size - min (AWG)

12

Conductor Size - max (AWG)

3

Accessories

End Plate

KPY

Height : 41.50 mm

Width : 42 mm

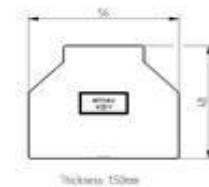
Thickness : 1.50 mm



Partition Plate Without Foot

KBY

Thickness : mm



Partition Plate With Foot

KBZF

Height : 65 mm

Width : 65 mm

Thickness : 1.50 mm



Protection Cover

PCK3



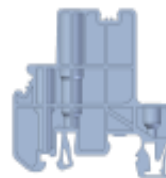
End Clamp

SCUDD

Height : 50 mm

Width : 55.50 mm

Thickness : 10 mm



SCUSL

Height : 41 mm

Width : 47.50 mm

Thickness : 8 mm



Cross Connection Link Assembly

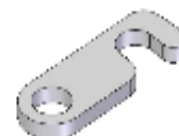
CCLA16

((2W, 3W, 4W, 5W, 10W))



Link for Removable Shorting

RSL16



Long Stud For Removable Shorting

LSR10-16



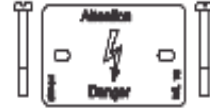
Marking Label

LABEL KN12



Warning Label

WARNING LABEL WL16



Mounting Channel (Standard Lengths 300 mm, 500 mm, 1000 mm)

CHK

Height : 7.5 mm

Width : 35 mm

Thickness : 1 mm



CHKD

Height : 15 mm

Width : 35 mm

Thickness : 1.50 mm



CHKDS (Perforated)

Height : 15 mm

Width : 35 mm

Thickness : 1.50 mm



CHKS (Perforated)

Height : 7.5 mm

Width : 35 mm

Thickness : 1 mm



CHS

Height : 15 mm

Width : 32 mm

Thickness : 1.50 mm



Support for Protection Cover

UHDD

Height : 74.50 mm

Width : 55.82 mm

Thickness : 1.50 mm



Group Marking Holder

