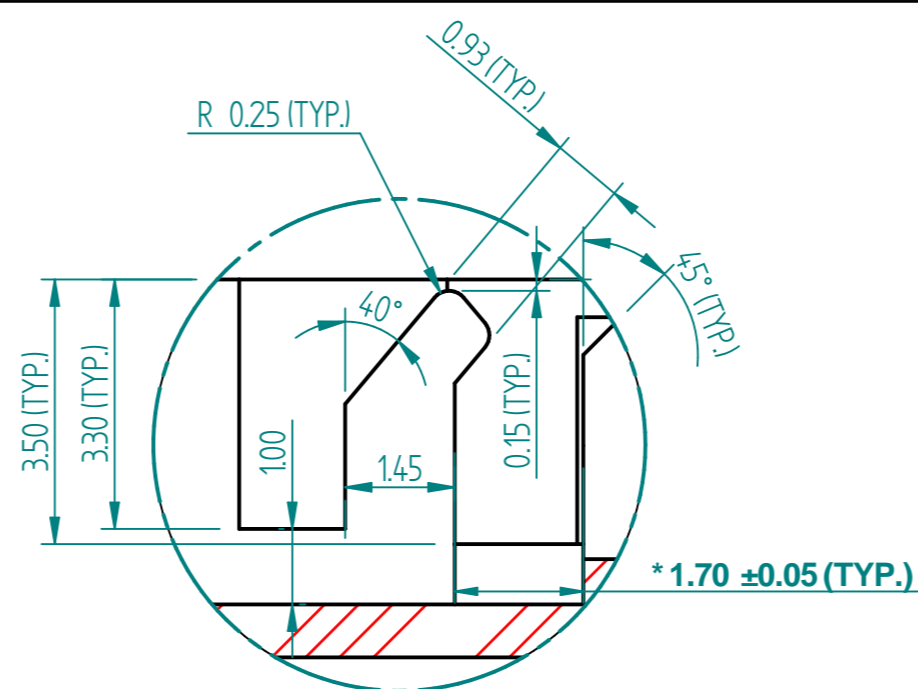
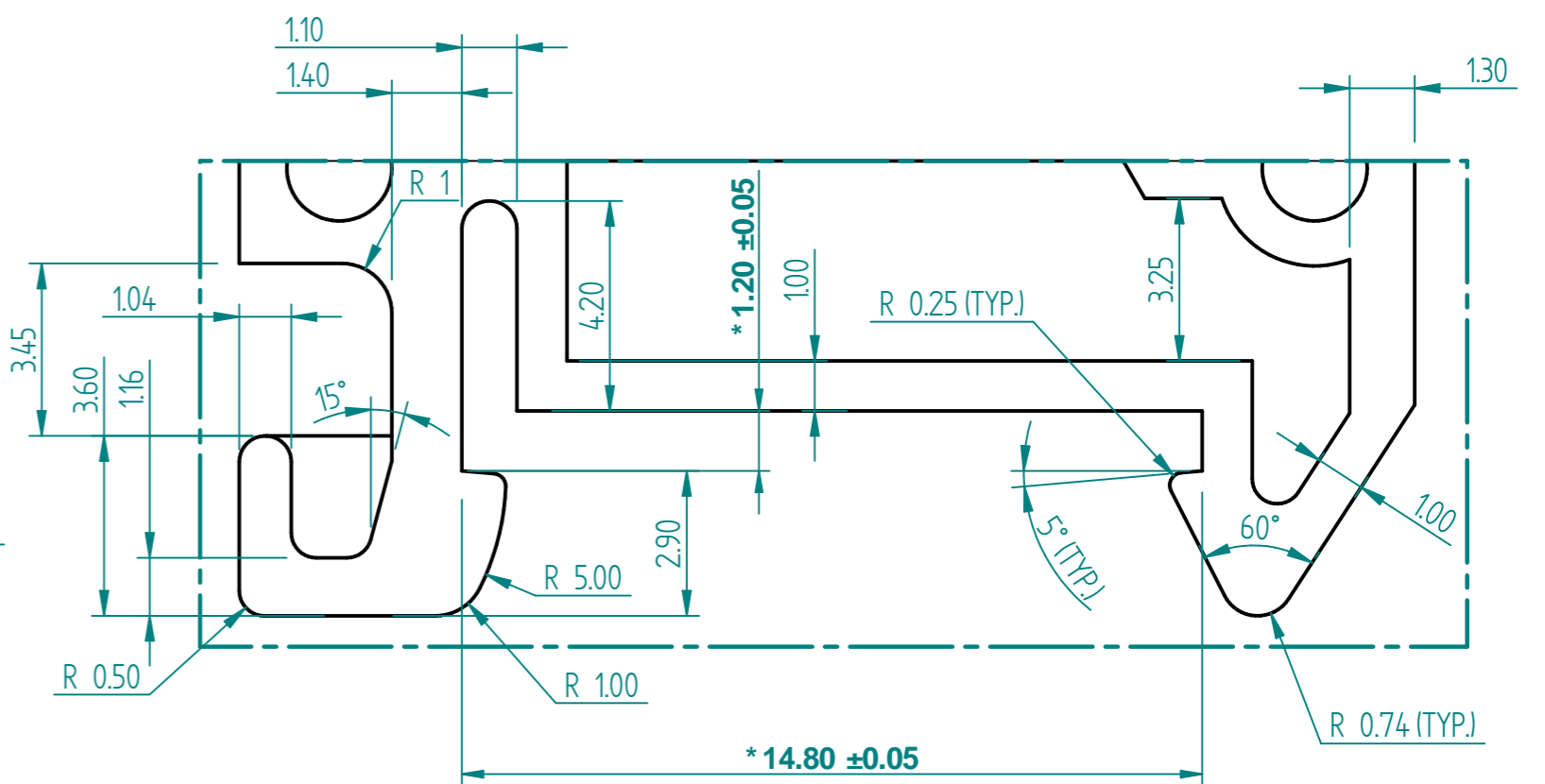


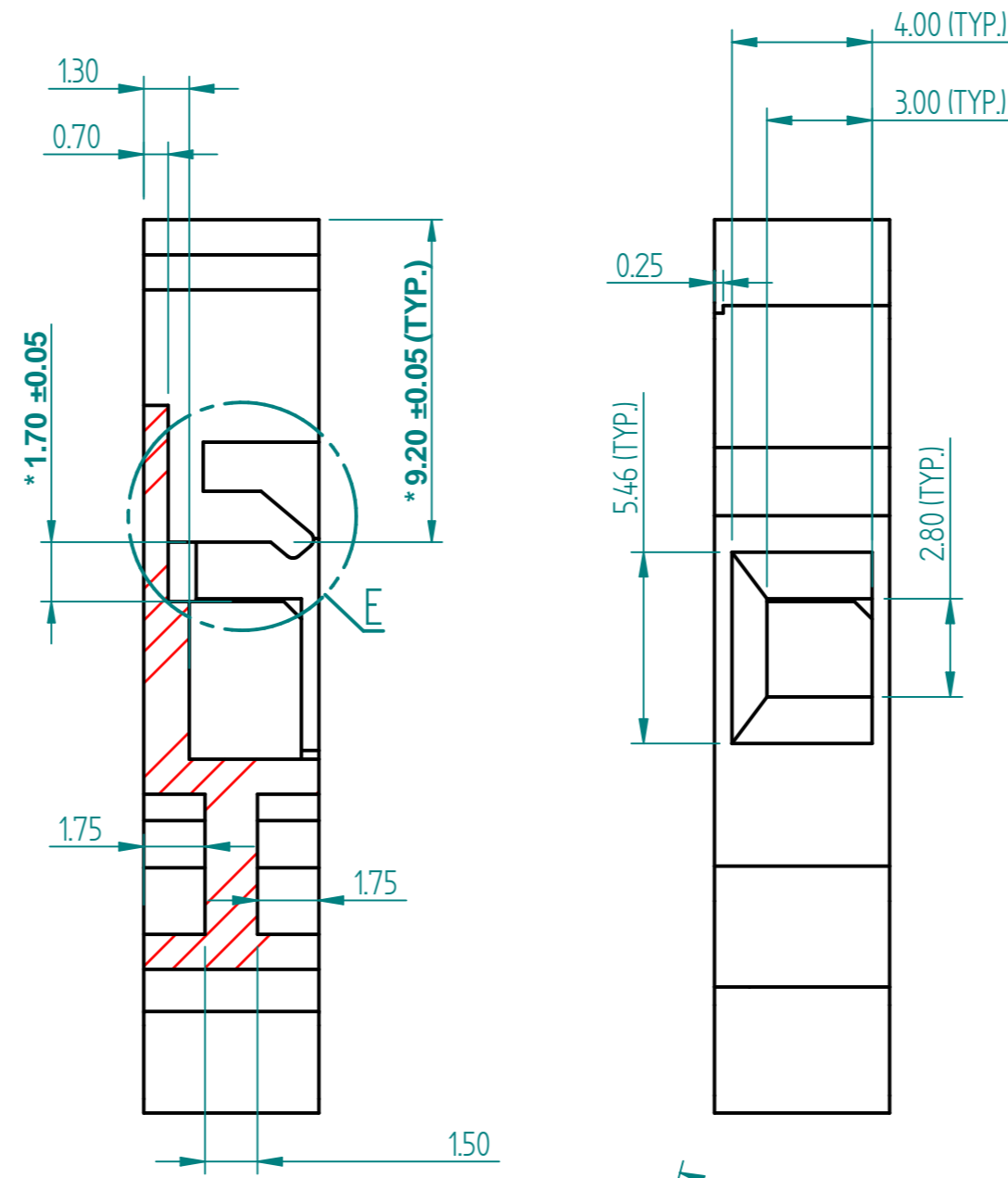
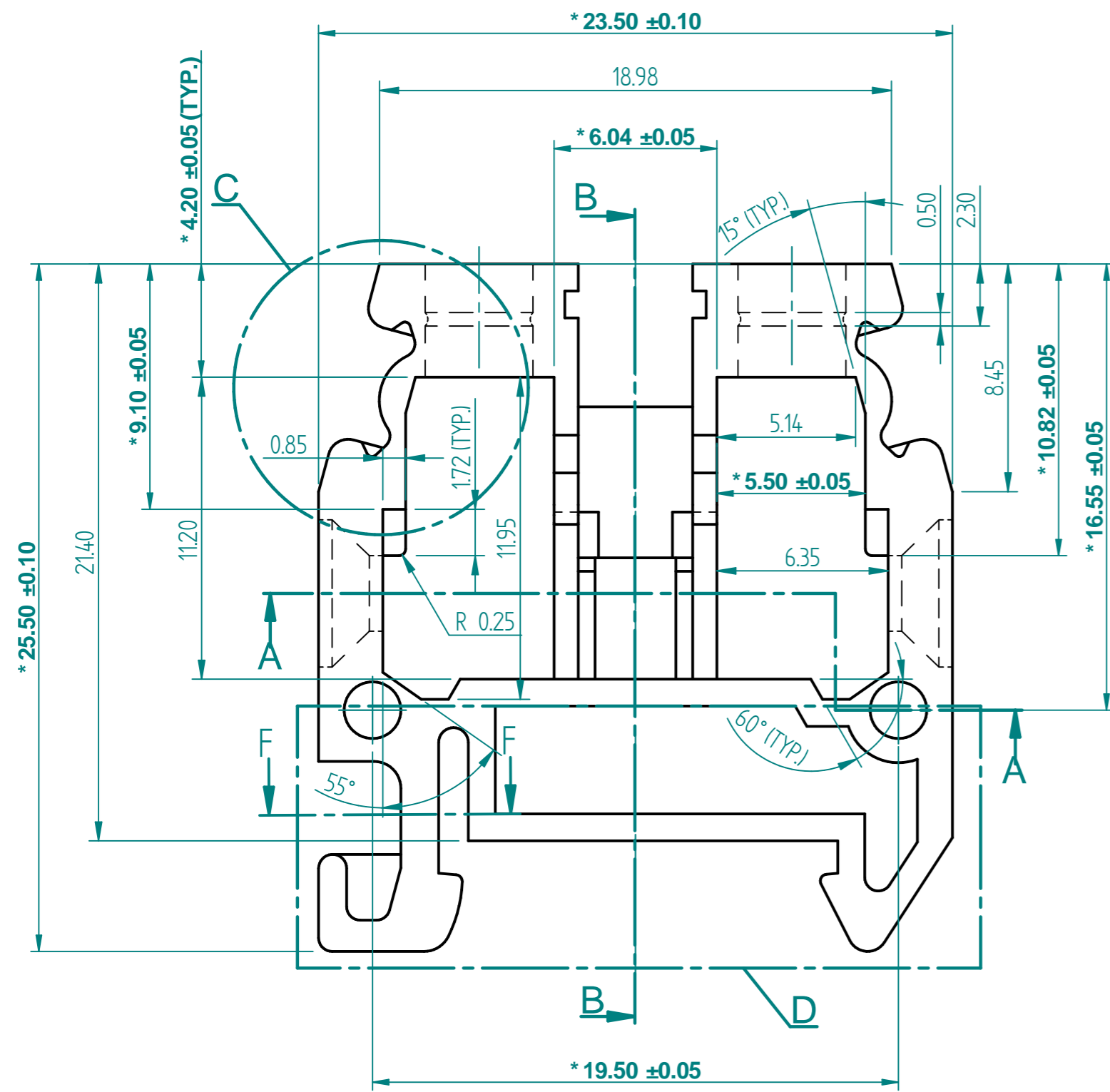
SECTION A-A



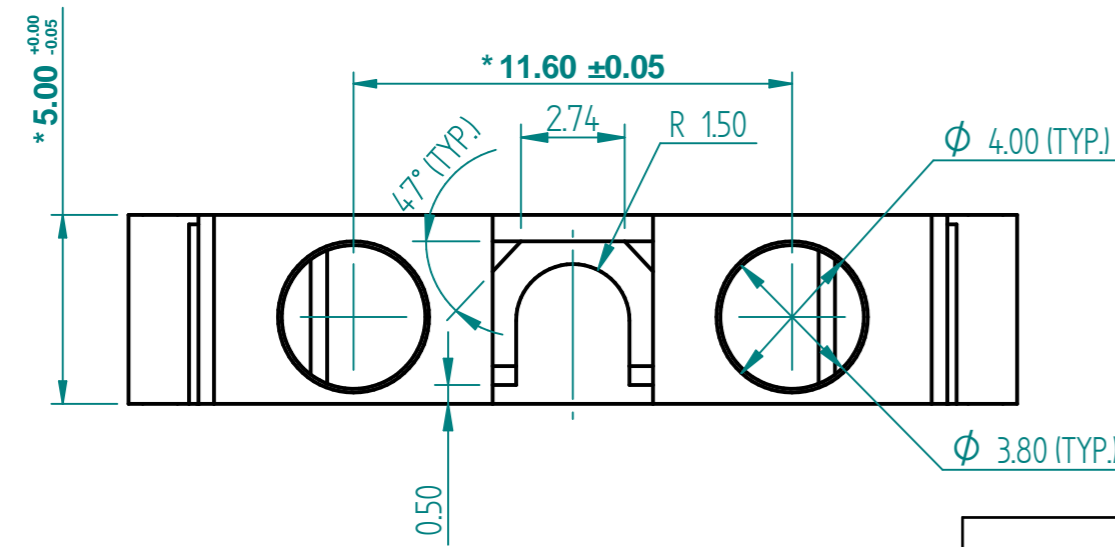
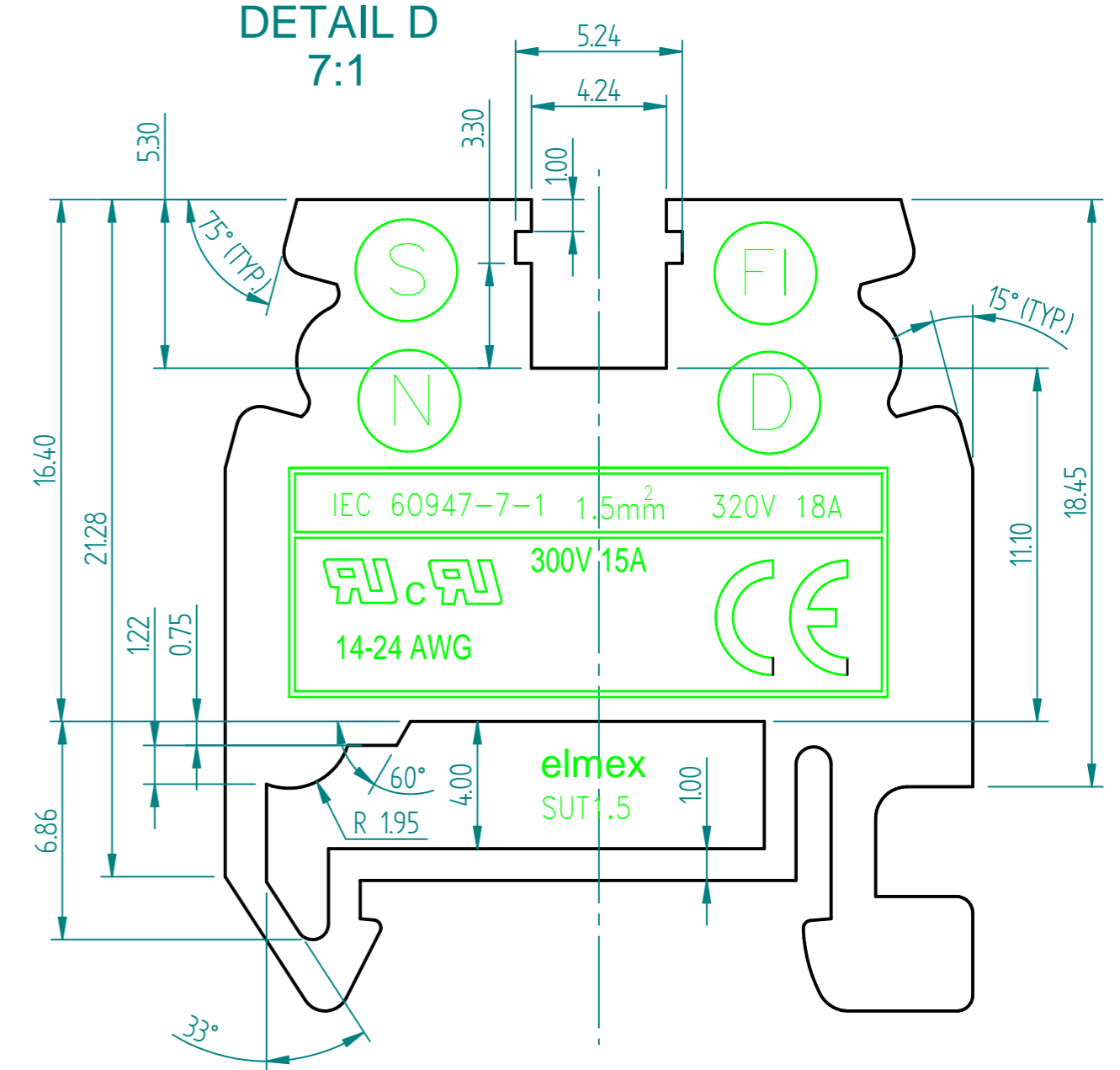
DETAIL E
10:1



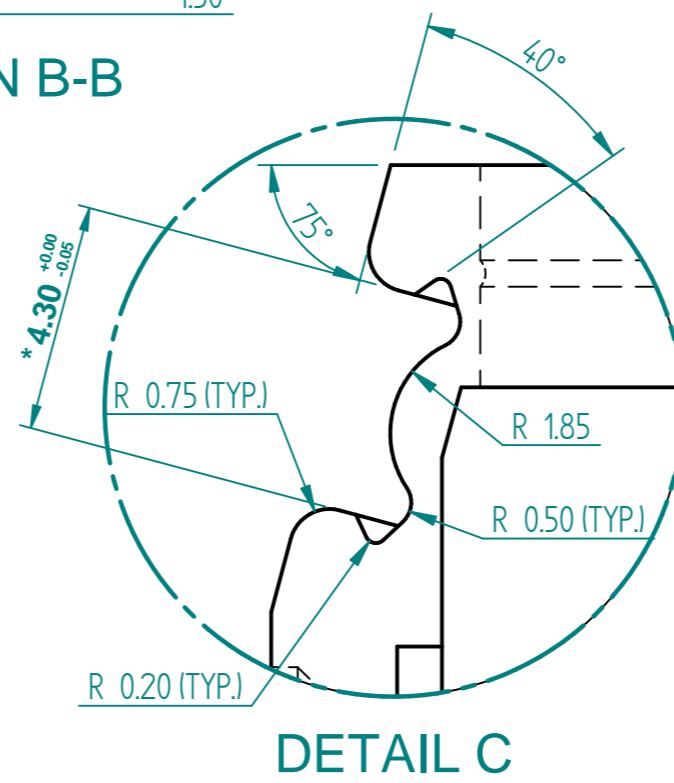
DETAIL D
7:1



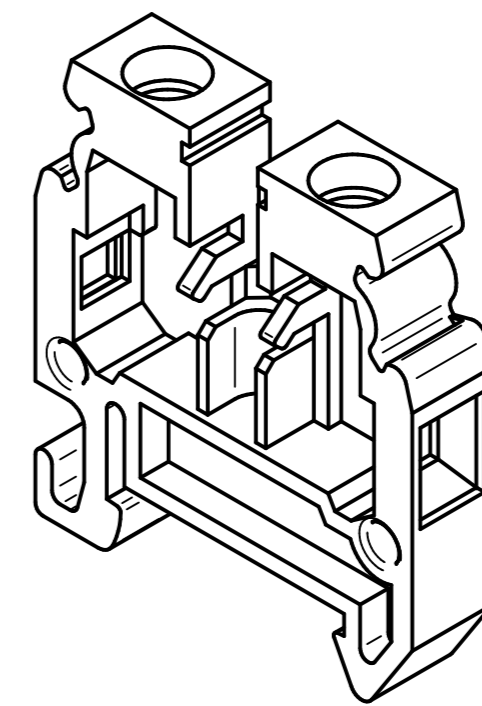
SECTION B-B
5:1



SECTION F-F
5:1



DETAIL C



FREE DIMENSION TOLERANCES (REF. DIN 16901)																					
ABOVE	0	1	3	6	10	15	22	30	40	53	70	90	120	160	200	250	315	400	500	630	800
UP TO	1	3	6	10	15	22	30	40	53	70	90	120	160	200	250	315	400	500	630	800	1000
TOLERANCE	±0.10	±0.11	±0.12	±0.14	±0.17	±0.20	±0.24	±0.28	±0.33	±0.40	±0.50	±0.60	±0.75	±0.95	±1.15	±1.45	±1.80	±2.20	±2.80	±3.50	±4.40

REV. No.	REVISION DETAIL	ECR No.	MODIFY BY	DATE
IF ANY DOUBT PLEASE ASK REMOVE ALL SHARP EDGES ALL DIMENSIONS ARE IN "mm"				
ELMEX CONTROLS Pvt. Ltd.		MATERIAL		PA-66
12, GIDC, MAKARPURA, VADODRA - 390010		MSI No.		029
DRAWN BY	IPKhatri	DATE	28-03-2005	
CHKD. BY	S.Sharma	DATE		
APPROVED BY	TR	DATE		
SCALE		DESCRIPTION		HOUSING
1:1		DRG. NUMBER		6SUT15H_Under Repeat Tool Dev. REV
SHEET 1 OF 1		SHEET SIZE		A2
FIRST ANGLE PROJECTION		WEIGHT		133 g