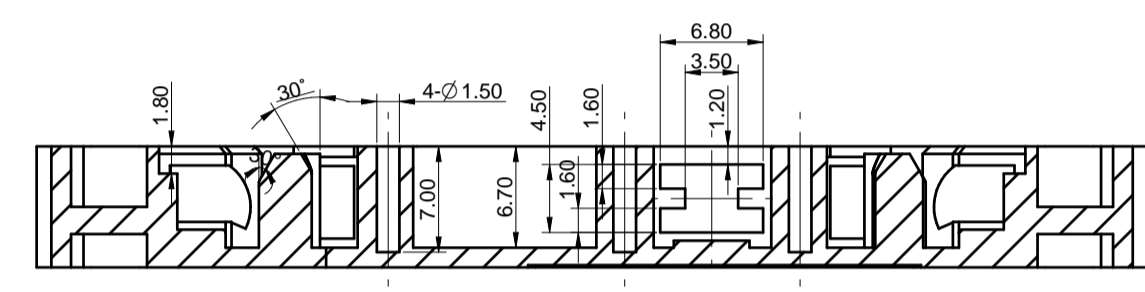
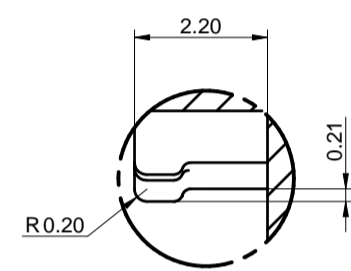


1DCT6

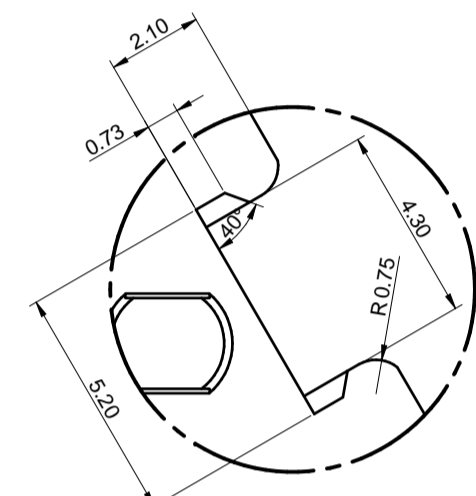
FREE DIMENSION TOLERANCES (REF. DIN 16901)																					
ABOVE	0	1	3	6	10	15	22	30	40	53	70	90	120	160	200	250	315	400	500	630	800
UP TO	1	3	6	10	15	22	30	40	53	70	90	120	160	200	250	315	400	500	630	800	1000
TOLERANCE	±0.10	±0.11	±0.12	±0.14	±0.17	±0.20	±0.24	±0.28	±0.33	±0.40	±0.50	±0.60	±0.75	±0.95	±1.15	±1.45	±1.80	±2.20	±2.80	±3.50	±4.40



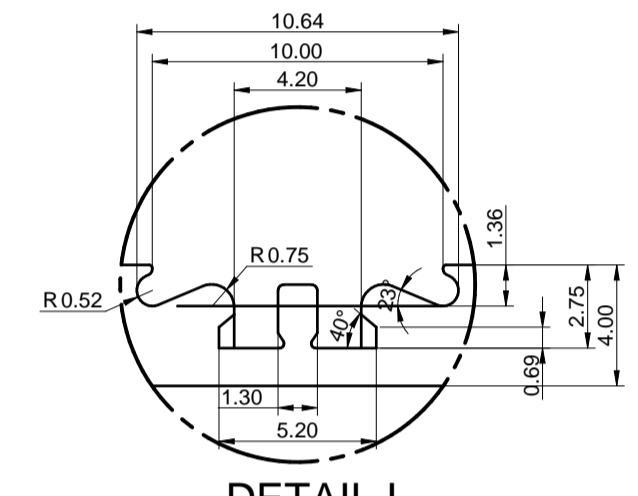
SECTION J-J



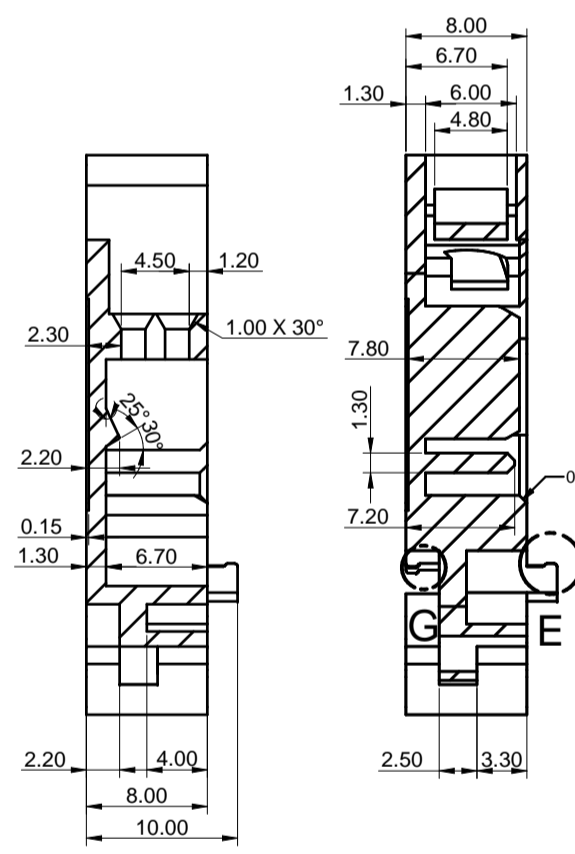
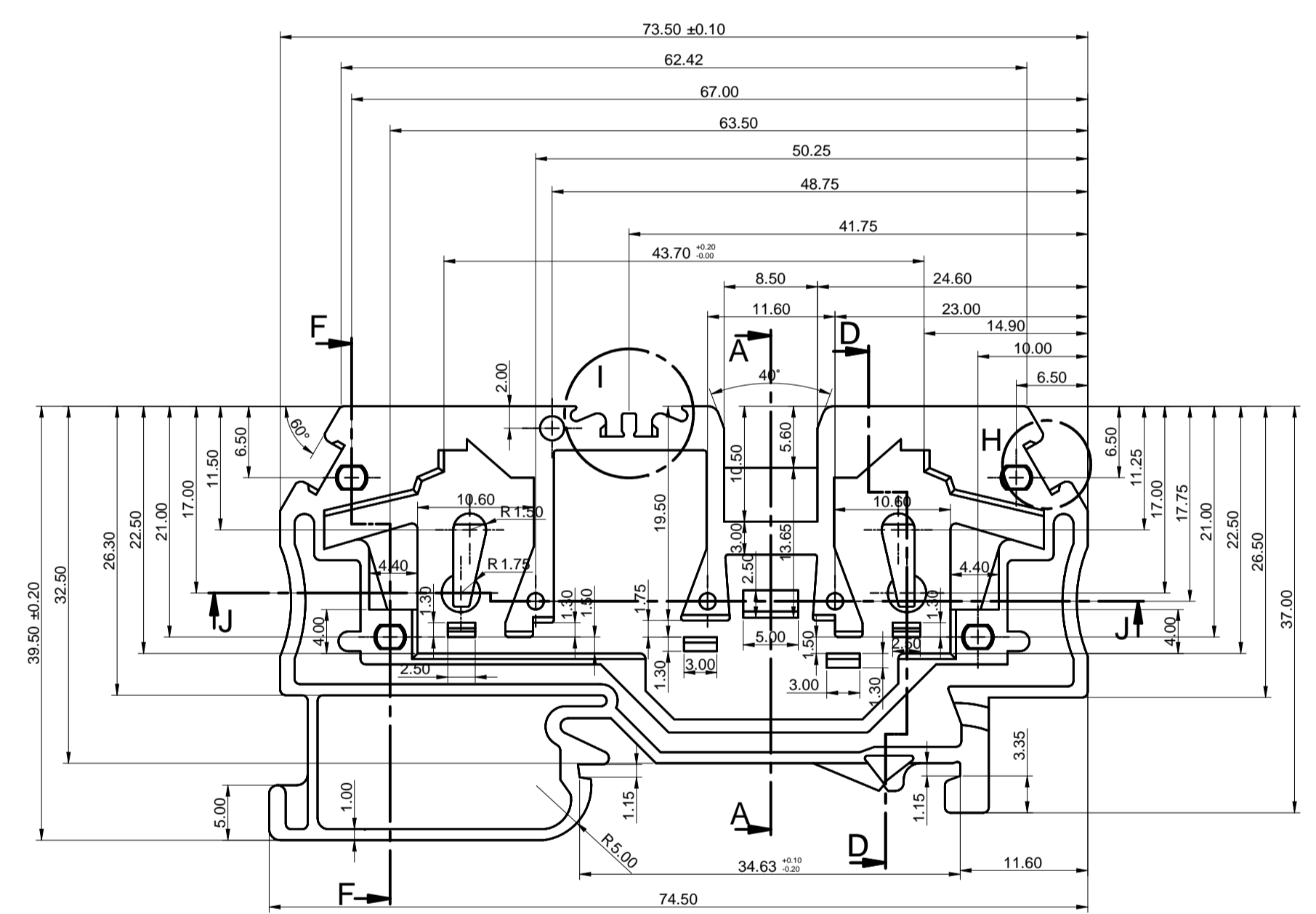
DETAIL G
Scale:- 8:1



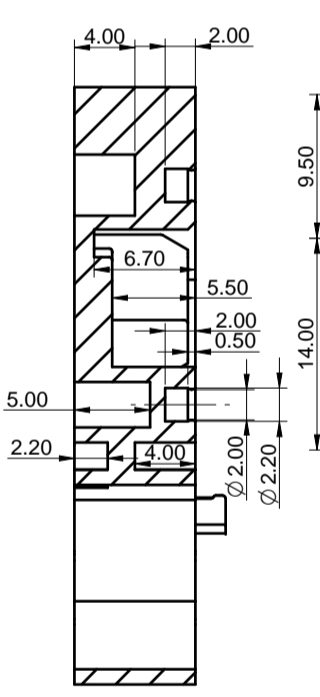
DETAIL H
Scale:- 6:1



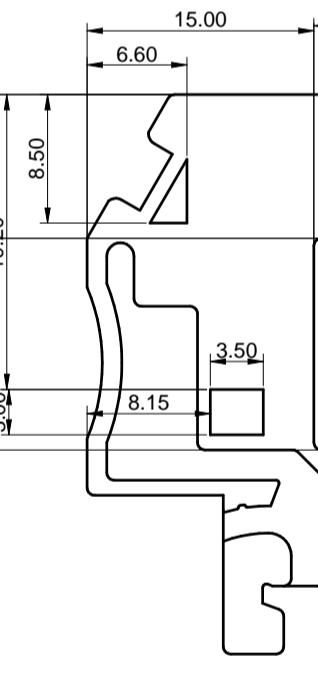
DETAIL I
Scale:- 4:1



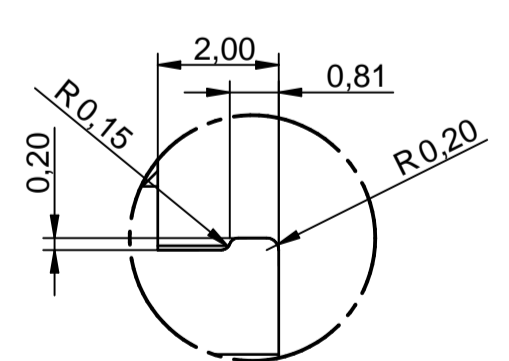
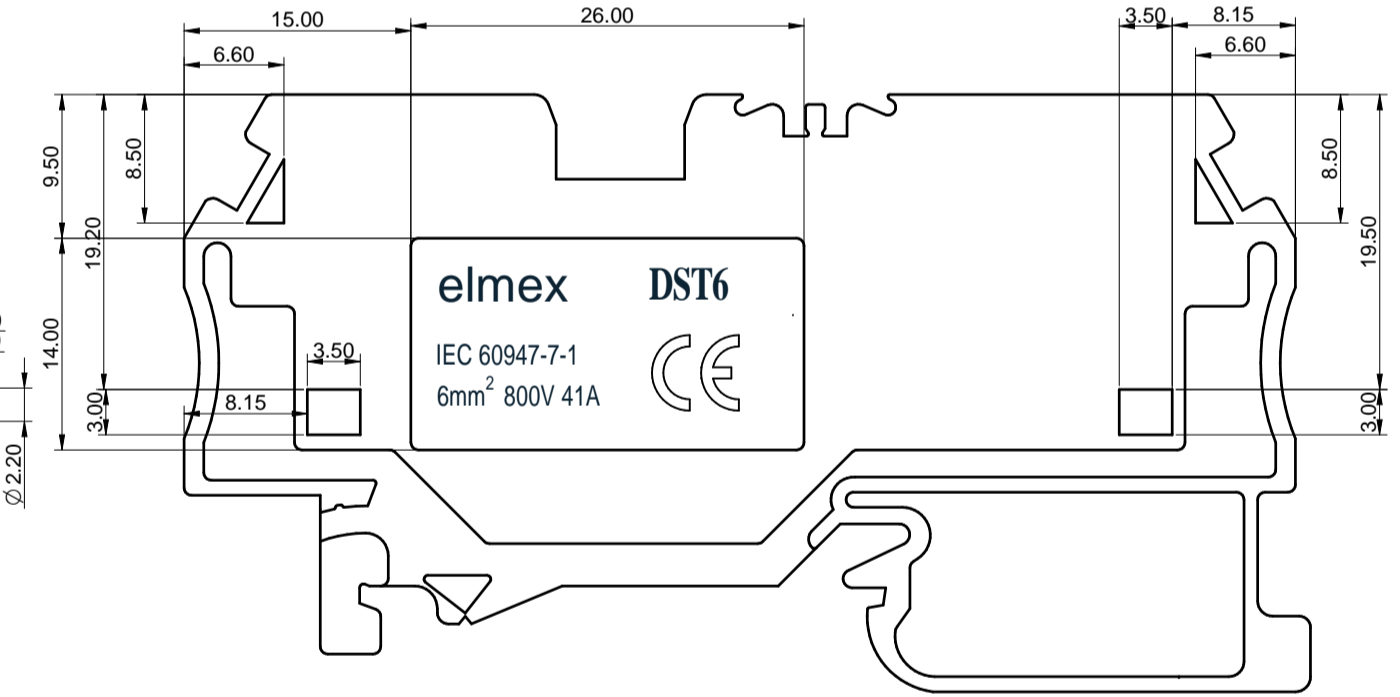
SECTION A-A



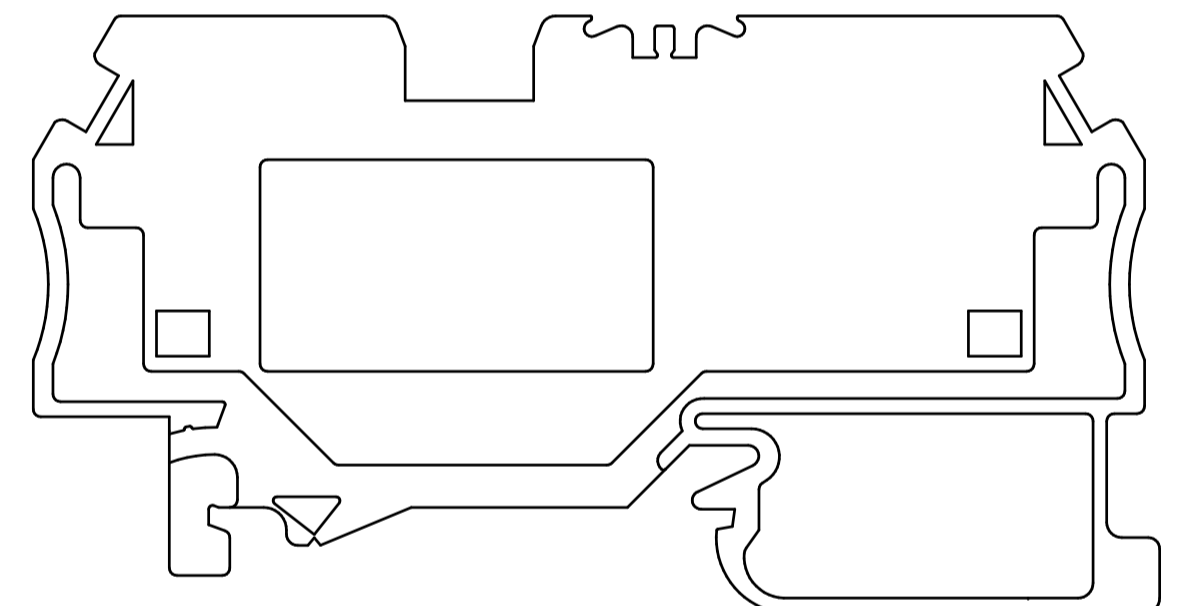
SECTION D-D



SECTION F-F



DETAIL E
Scale:- 8:1



Reqd. No.	Dash No.	Size	Material
Drn. By.	U.J.U	4-06-07	Chd. By.
Scale	HOUSING		
2:1	3 6DST6H IM 1		
elmex			

A	ADDED MARKING WINDOW STOPPER	B.B.P	05-08-10
CHANGE LETTER	REVISION BRIEF RECORD	CHANGED BY.	DATE

APPROVED DRG.