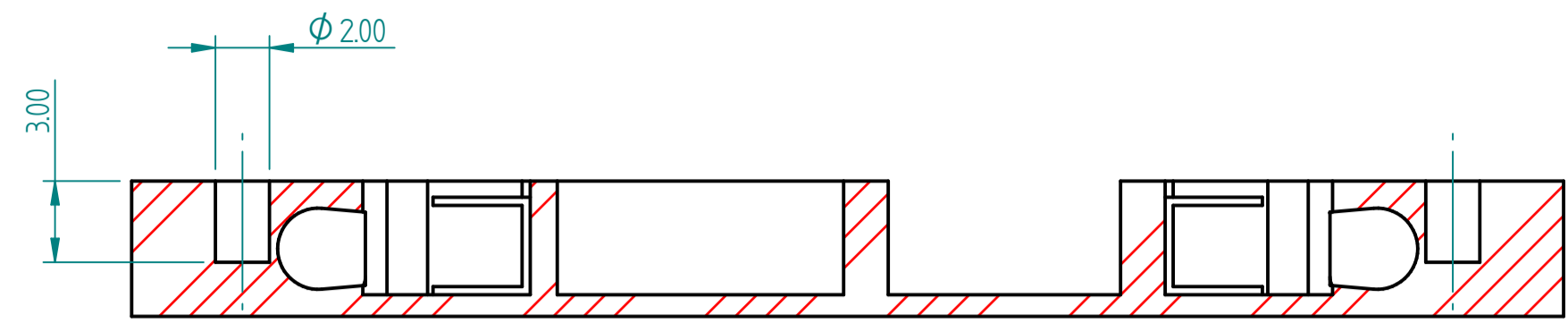
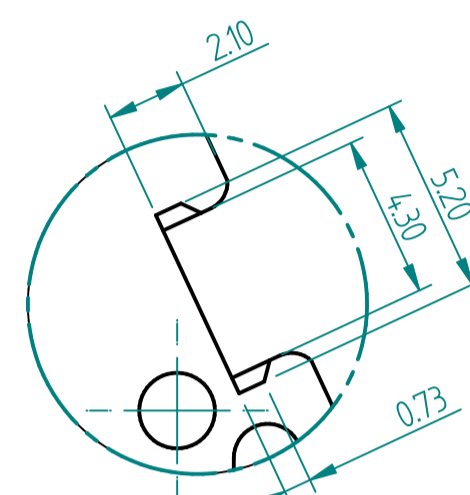
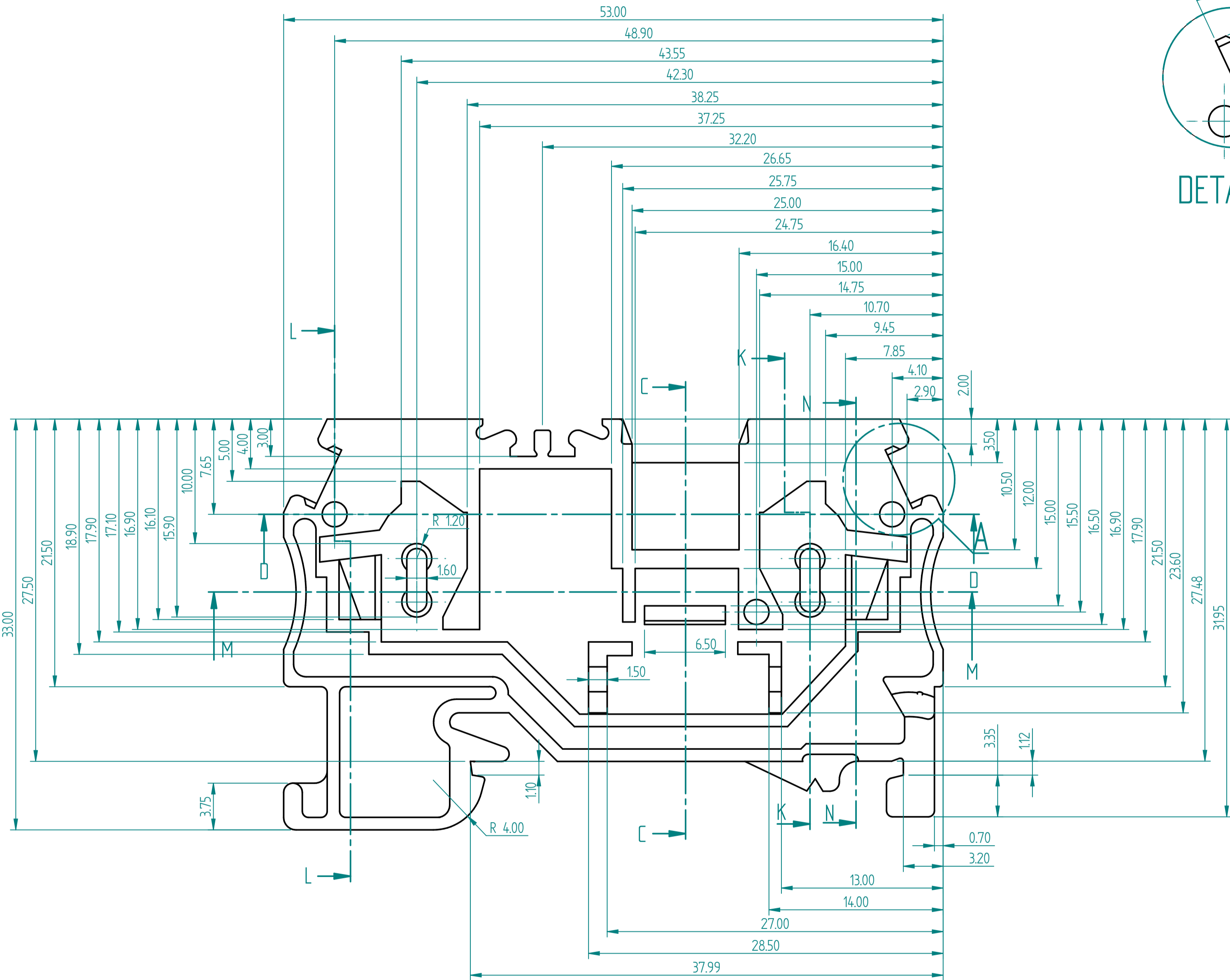
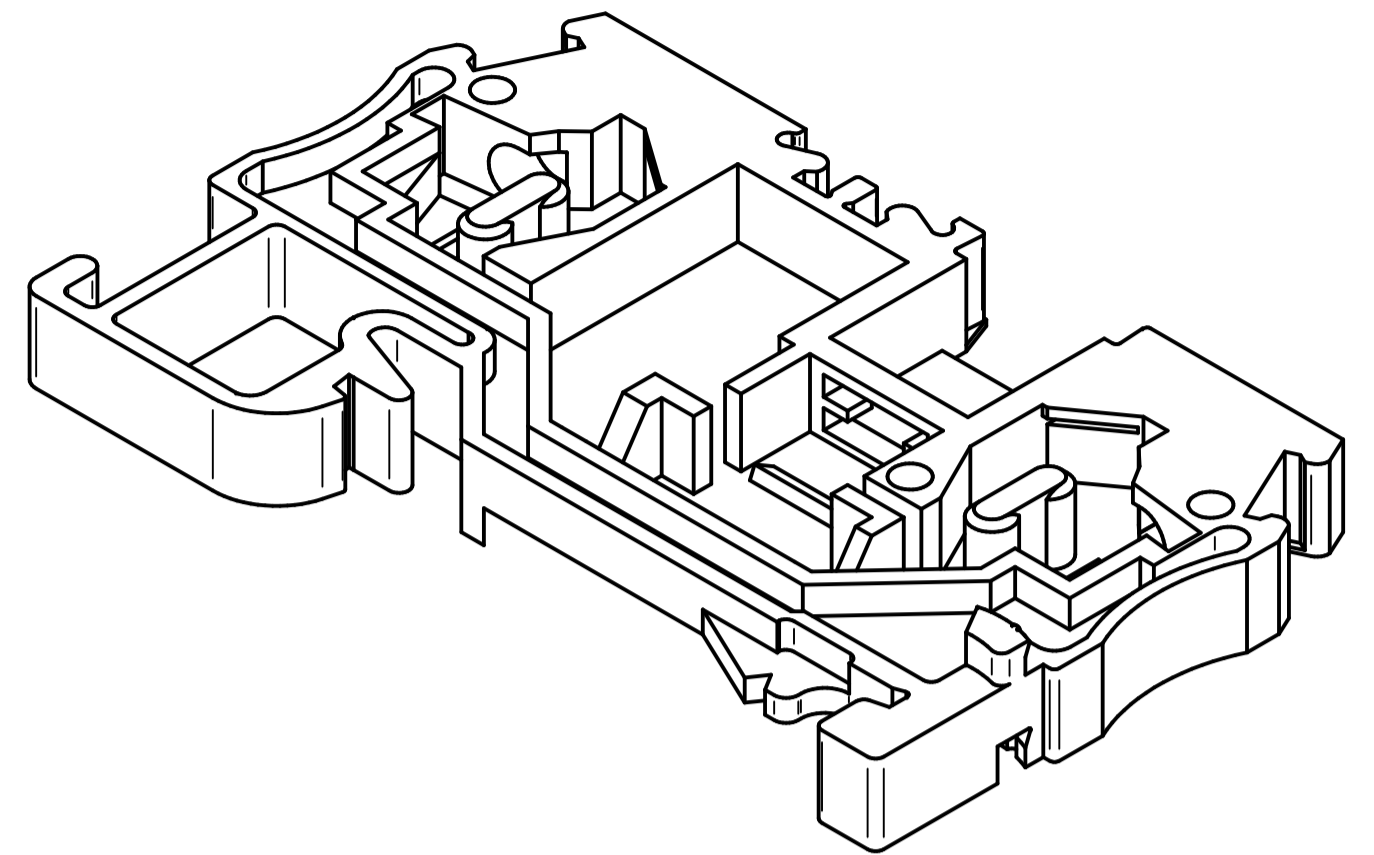


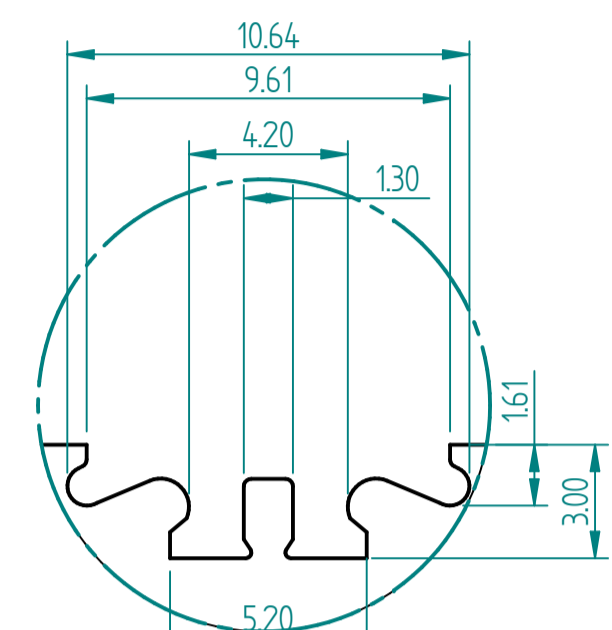
SECTION M-M



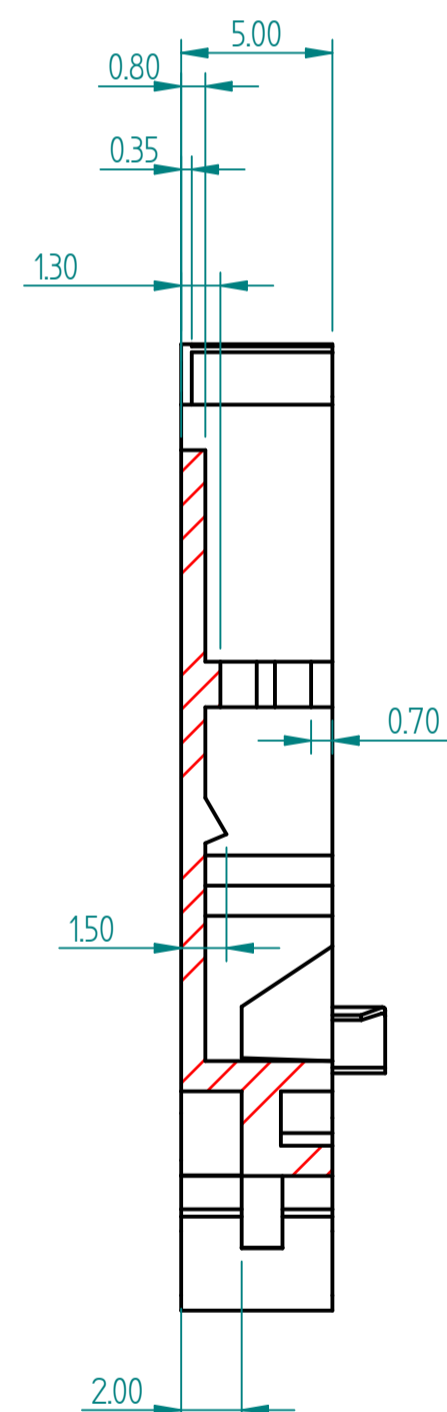
SECTION D-D



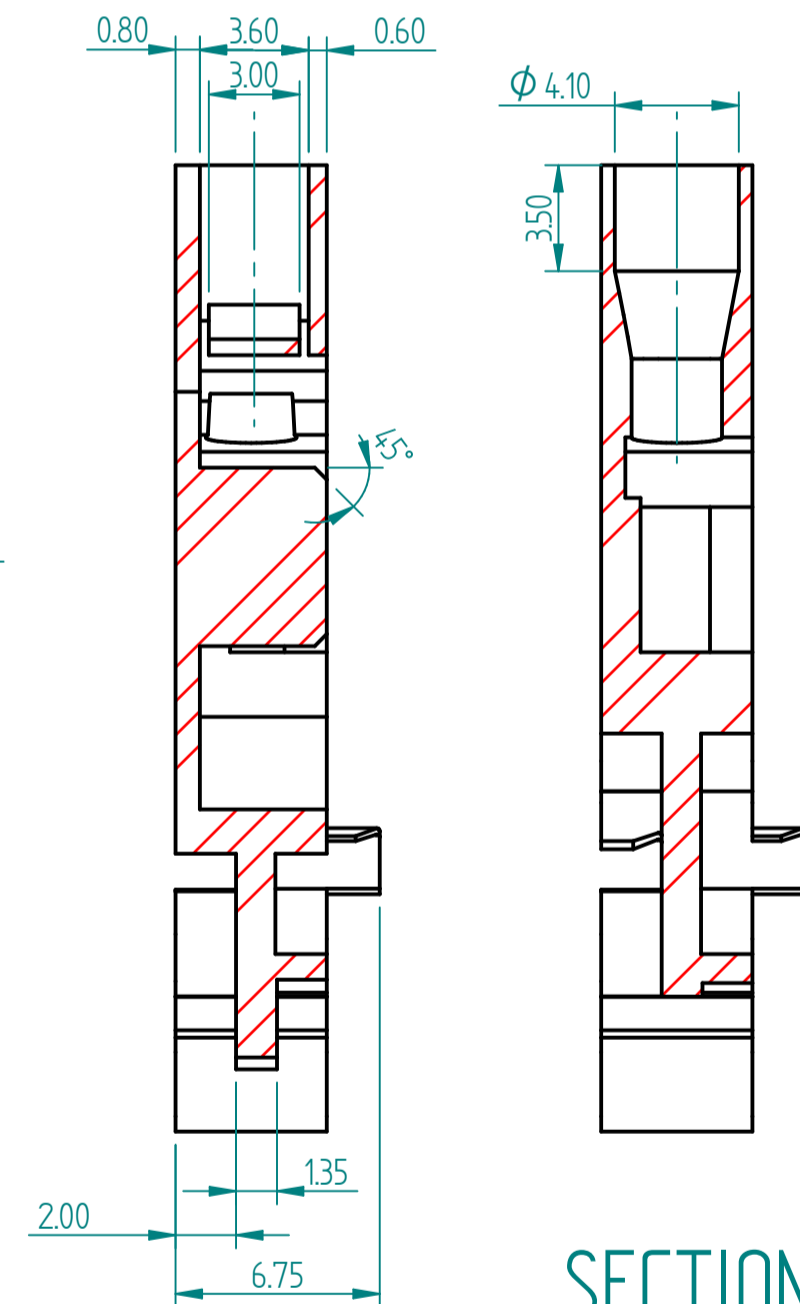
DETAIL A



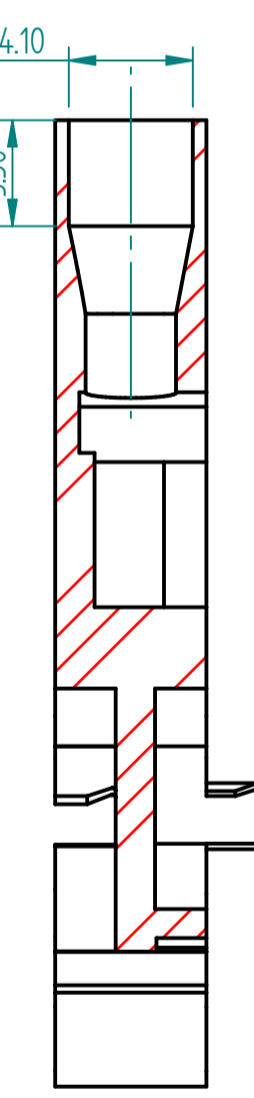
DETAIL B



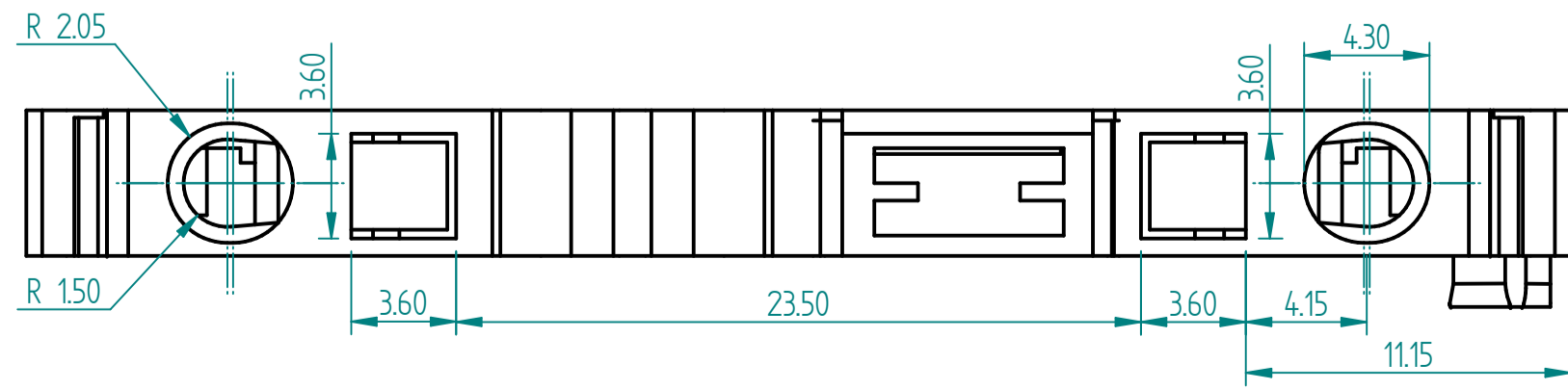
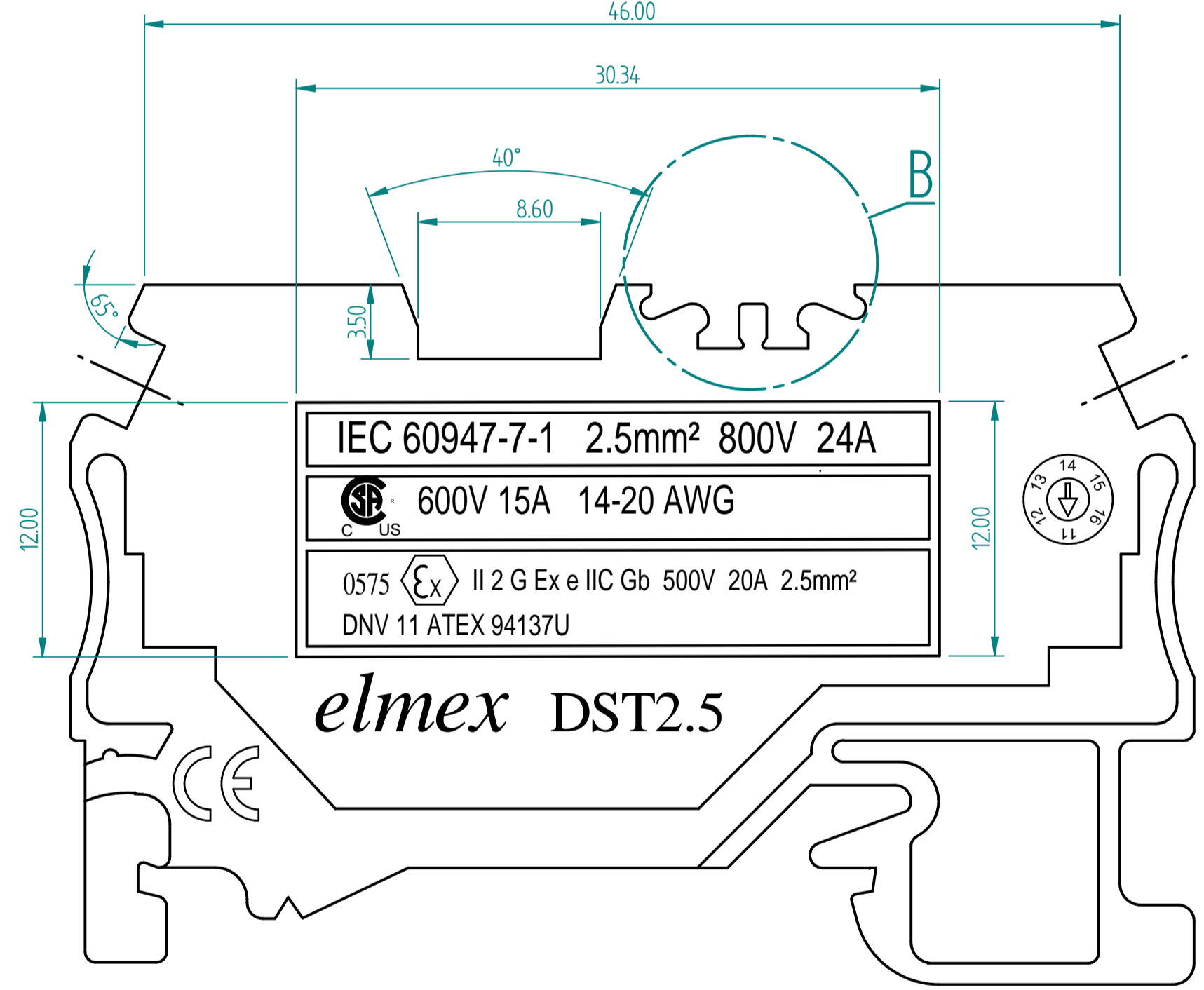
SECTION C-C



SECTION K-K



SECTION N-N



FREE DIMENSION TOLERANCES (REF. DIN 16901)																					
ABOVE	0	1	3	6	10	15	22	30	40	53	70	90	120	160	200	250	315	400	500	630	800
UP TO	1	3	6	10	15	22	30	40	53	70	90	120	160	200	250	315	400	500	630	800	1000
TOLERANCE	±0.10	±0.11	±0.12	±0.14	±0.17	±0.20	±0.24	±0.28	±0.33	±0.40	±0.50	±0.60	±0.75	±0.95	±1.15	±1.45	±1.80	±2.20	±2.80	±3.50	±4.40

REV. No.	REVISION DETAIL	EEER No.	MODIFY BY	DATE
5	FOOT DESIGN MODIFIED	2015/01/01	NK	03-01-2015
4	Wire entry hole profile modified	2012/03/02	BBP	17-03-2012
3	ADDED YEAR MARKING	2010/02/05	Bhaskar	02-06-2011
2	ADD ATEX AND CSA MARKING	2010/02/05	Bhaskar	30-04-2011
1	ADD MARKING WINDOW STOPPER	2010/02/05	BBP	05-09-2010

IF ANY DOUBT PLEASE ASK	REMOVE ALL SHARP EDGES	ALL DIMENSIONS ARE IN "mm"
ELMEX CONTROLS PVT. LTD. C-102, PANDURAM VADAPALLEY, CHENNAI - 600042	MATERIAL	PAGE
UJAJ	MSI No.	029
DATE: 15-09-2007	FINISH	
DATE: 03-01-2015	WEIGHT	Error No reference
DATE: 03-01-2015		

SCALE	DESCRIPTION	HOUSING
1:1	DRG. NUMBER	6DST2.5H
SHEET 1 OF 1		REV 5

© copyright - Elmex Controls Pvt. Ltd. * CRITICAL DIMENSION